

Arrive Media Bridge™

HDMI to USB Video Capture System

Model AHD-CAP-1010



The Arrive® Media Bridge is an HDMI to USB Video Capture System. It is compatible with all Arrive EdgelessMedia® processors which are not equipped with internal HD-CAP hardware. It provides immense flexibility in managing video capture needs from connected devices in meeting rooms, classrooms and conference rooms.

When used with compatible Arrive EdgelessMedia® hardware, the Arrive® Media Bridge is able to respond to the video management controls on Arrive ControlPoint™ consoles.



AHD-CAP-1010



Hardware Specifications

Max. Input Resolution	1920 x 1080p@60/50fps
Recording Mode	Hardware Compression, Real-Time Mode
Interface	USB 2.0 Compatible with USB 2.0/3.0 Host Controllers
Video Input	1 x HDMI
Optional Video Input	Composite and A/V Cable: 1 x Composite Video + 1 x S-Video A/V input Component A/V Cable: 1 x YPbPr A/V input VGA A/V Cable: 1 x VGA(D-Sub) A/V input
Supported Video Format	H.264 High Profile (Hardware Compression)
Supported Video Resolution	1920 x 1080p@60/50fps (Input:1080p60/50fps, Output: 1080p30/25fps) 1920 x 1080p@30/25/24fps 1920 x 1080i@60/50fps 1280 x 720p@60/50fps 1280 x 1024p@30fps 1024 x 768p@60fps 800 x 600p@60fps 640 x 480p@60fps 720 x 480p@60fps 720 x 576p@50fps 720 x 480i@60fps 720 x 576i@50fps
Audio Input	HDMI Embedded Audio Audio L/R (2 x RCA through optional A/V cable)
Audio Format	Stereo / 16-bit / 32000 ~ 48000Hz

System Requirement

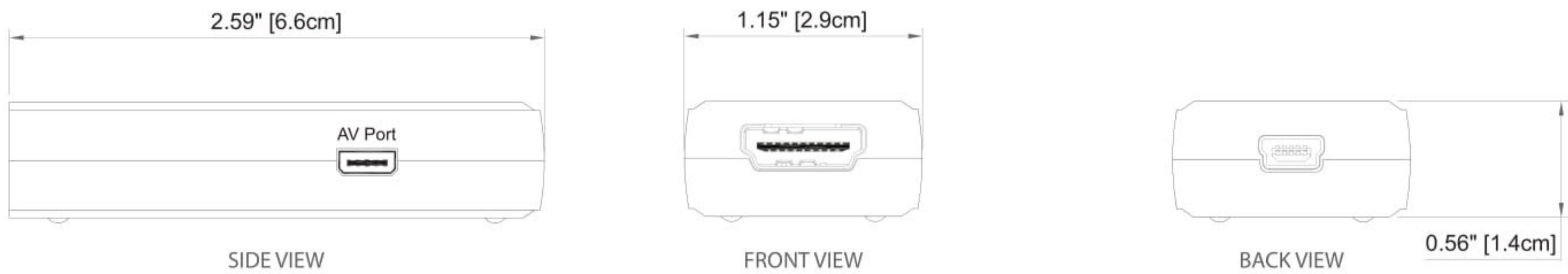
OS Support	Windows 7 / Windows 8 / Windows 8.1 (32-bit and 64-bit)
------------	---

SPECIFICATIONS

Arrive® HD-CAP - HDMI to USB Video Capture System

Model AHD-CAP-1010

Dimensions and Weights*



Net Weight/unit	0.88lbs (400g)
Unit dimension	2.598" x 1.141" x 0.551" (6.6 x 2.9 x 1.4cm)
Shipping dimensions at 7 units/box:	17.51" W x 8.07"H x 9.25" D (30 x 25 x 20cm)
Gross Shipping weight(7 units)	6.172lbs (2.8kg)

Included Cables

- 1x USB 2.0 -mini USB cable
- 1x HDMI- cable

Optional Cables

- 1x AV cable - RCA stereo audio +VGA - Part No AHD-CAP-VGA-A
- 1x AV cable - RCA stereo audio + RCA video +S-video - Part No. AHD-CAP-CSV-A
- 1x AV cable - RCA stereo audio + Component Video - Part No. AHD-CAP-COV-A

Certification and compliance

Regulatory certification	FCC-Class A
Environmental compliance	CE, WEEE, RoHS

Purchasing information

Model No	AHD-CAP-1010
Description	Arrive® Media Bridge- HDMI to USB Video Capture System
SKU#	AHD-1010-000-001

Warranty Information

All Arrive Peripherals ship with a standard limited 12 months first user warranty. Please refer to Ver. SLHW-P-0101-15 - visit carepoint.arrivesys.com/warranty for updated information on warranty.

DIMENSION SYSTEMS
creating solutions with *technology*

Guam Office

643 Chalan San Antonio Ste 107
DFS Pacific Plaza,
Tamuning GU 96913-3644
Phone: +(1) 671-646-2007 | Fax: +(1) 671-646-2006
Email: info@DimensionSystems.com

DSI Technology

Philippine Office

Suite 3004, 30F Antel Global Corporate Center
Julia Vargas Ave., Ortigas Center
Pasig City Philippines 1603
Phone: +(632) 900-0198
Email: infoph@DimensionSystems.com



SCAN TO DOWNLOAD THE
DIGITAL COPY OF THIS BROCHURE



SCAN TO VISIT OUR WEBSITE

To Find out more, visit: www.DimensionSystems.com