



ActivBoard 500 Pro Mobile System
with EST-P1 projector

THIS DOCUMENT CONTAINS SPECIFICATIONS FOR

ActivBoard
Mobile Stand
Projector

DESCRIPTION

The ActivBoard 500 Pro with Dual-User Pen and Touch capability is available in 78", 87" and 95" versions with integrated slim-line speakers and amplifier, ActivInspire Professional Edition, Promethean ActivOffice and Promethean Applications software. The Mobile System is easy to move and includes an Extreme Short Throw Projector.

SYSTEM OVERVIEW

Installation

The installation of this product should be completed by a Promethean Certified Installer. Please visit www.PrometheanWorld.com/ActivCare/installationtc. Components supplied and minimum specifications stated have been tested and are required for optimal performance. Use of components not supplied by Promethean or not meeting minimum specifications may impact performance and affect warranty. Contact your Promethean partner or visit www.PrometheanKB.com for more information

Warranty

For Promethean Warranty Information please visit: www.PrometheanWorld.com/ActivCare

Support

Online Support for all Promethean Products available from: www.PrometheanKB.com

Complete System Weight (approx.)

ActivBoard 578 Pro including Projector 137.2kg (302.5lb)
ActivBoard 587 Pro including Projector 151kg (332.5lb)
ActivBoard 595 Pro including Projector 159kg (350.1lb)

INTERACTIVE DISPLAY

UPGRADE AND ACCESSORY OPTIONS

ActivWand 50

Wireless, battery-free and extended reach input device for the ActivBoard – 540mm (21.2in) in length; “left click”, cursor and hover, just like a mouse

Mobile Stand Drawer

Optional* drawer in the base of the System (includes lock and key), and can be used to store sets of ActivExpression, ActiVote, ActivSlate or the EST-P1 remote control. *Mobile Stand drawer is included with the Mobile System in EU Region

Dry Erase Whiteboard

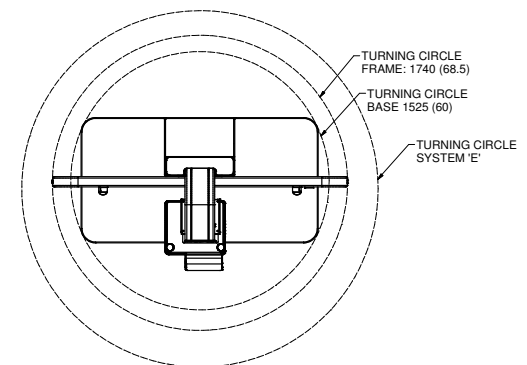
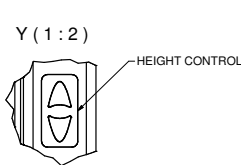
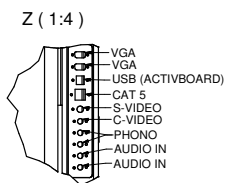
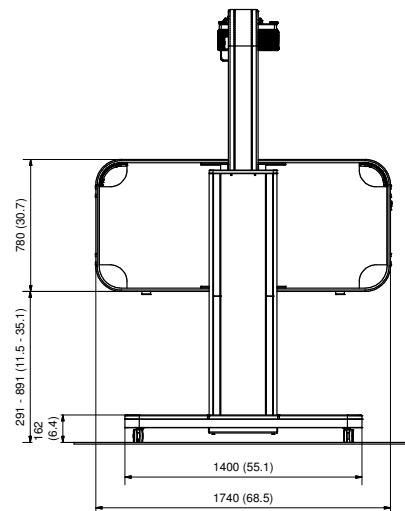
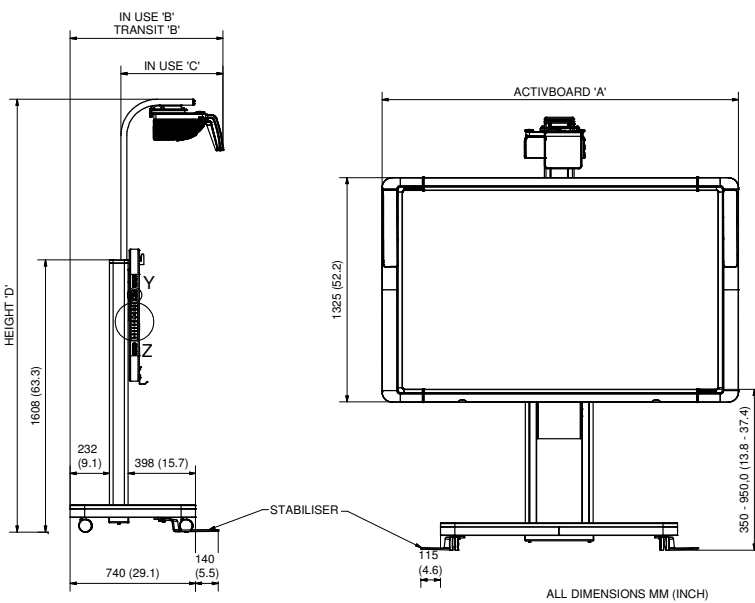
Optional dry erase whiteboard, can use 1 or 2 dry erase whiteboards per System

ActivBoard System Shelf

Storage for 1 laptop, with a maximum size of a standard 43cm (17in) laptop. Lockable System Shelf also available as an option

TECHNICAL DRAWING SPECIFICATIONS

| DIMENSION | 78" | 87" | 95" |
|------------------------|--------------------------|----------------------------|--------------------------|
| ACTIVBOARD 'A' | 1868 (73.5) | 2105 (82.9) | 2412 (95) |
| IN USE 'B' | 909 (35.8) | 889 (34.6) | 929 (36.6) |
| TRANSIT 'B' | 758 (29.8) | 738 (29.1) | 778 (30.6) |
| IN USE 'C' ±10 (±0.4) | 608 (23.9) | 558 (23.2) | 628 (24.7) |
| TRANSIT 'C' ±10 (±0.4) | 458 (18) | 438 (17.2) | 478 (18.8) |
| HEIGHT 'D' | 1990 - 2590 (78.3 - 102) | 1960 - 2560 (77.2 - 100.8) | 1990 - 2590 (78.3 - 102) |
| TURNING CIRCLE 'E' | 1868 (73.5) | 2105 (82.9) | 2412 (95) |



Promethean recommends the use of the Stabilizers when in use.

Please note minimum turning circle, width and height dimensions as a consideration when moving the Mobile System from room to room.

ActivBoard Systems/Boards SS 02/12 V3.0 US

ACTIVBOARD GENERAL SPECIFICATIONS

| | |
|-------------------------------------|--|
| Model | ActivBoard 500 Pro Range |
| Pen Internal Resolution | 2730 points (lines) per inch |
| Pen Output Resolution | 200 points (lines) per inch |
| Pen Tracking Rate | 200 inches per second providing a fast response to pen commands |
| Pen Output Rate | 160 coordinate pairs per second (single user) 80 coordinate pairs per second (dual user) |
| User Input | Cordless battery-free pen incorporating tip switch and side switch for full mouse functionality (ActivPen) and touch |
| Touch Resolution | 200 points (lines) per inch |
| Touch Output Rate | 80 coordinate pairs per second |
| Touch Response Rate | 10 ms |
| Maximum Simultaneous Touches | 2 with ActivInspire 4 with Windows 7 |
| Digitizing Technology | Passive Electromagnetic and Capacitive sensing interface |
| Power Requirement | Mains Powered; 18V Power Supply Unit |
| Connection to Computer | USB 2.0, 1 x 3m USB 2.0 data cable supplied |
| Connection to Peripherals | 2 x USB ports on left hand side |
| Screen Surface | Low Glare Melamine |
| Certifications | UL, CE, FCC |
| Operating Temperature Range | 0°C to +40°C (32°F to 104°F) |
| Storage Temperature Range | -20°C to +60°C (-4°F to 140°F) |
| Storage Humidity | 10% to 90% (non-condensing) |
| Dual User Functionality | Pen: 1 Instructor ActivPen and 1 Participant ActivPen can be used together in Dual-User Mode when using ActivInspire 1.5 Professional Edition and above Pen and Touch: 1 Participant ActivPen and simultaneous additional two-touch gesture supported when using ActivInspire 1.5 Professional Edition and above |
| Single User Functionality | Pen: 1 Instructor ActivPen Touch: Two-touch gesture supported when using ActivInspire 1.5 Professional Edition and above |
| Integrated USB Sound | Two integrated slim-line speakers and amplifier (with controls, inputs and outputs) |
| Packed Contents List | ActivBoard 587 Pro or ActivBoard 595 Pro, 2 Instructor ActivPens, 2 Participant ActivPens, 1 AMP PSU, Wall Mounting Brackets, User Guide, Access to ActivInspire Professional Edition, Promethean ActivOffice and Promethean Applications via download. (ActivInspire Professional Edition is also available on DVD on request), 1 x 3m USB data cable |

ActivBoard Systems/Boards SS 02/12 V3.0 US



©2012 Promethean Limited. All rights reserved. Promethean Ltd. is owner of a number of trademarks in several jurisdictions across the world. Any third-party product and company names are mentioned for identification purposes only and may be trademarks of their respective owners. ¹Applicable Terms and Conditions for warranty and support available at www.PrometheanWorld.com/ActivCare. All dimensions +/- 5mm (0.2in). All weights +/- 0.9kg (2lb). Product Specifications are subject to change without notice. www.PrometheanWorld.com

INTEGRATED USB SOUND SPECIFICATIONS

| | |
|------------------------------|--|
| Amplifier Power Output | 20W per channel RMS (<1% distortion) |
| Controls | Volume, Bass, Treble, on/off |
| Amplifier Frequency Response | 40Hz to 18kHz +/-3dB (at 1W) |
| USB Sound | USB Sound supported for Minimum System Requirements stated |
| Connectivity – Inputs (4) | Stereo PC, Stereo CD/DVD, Mono Auxiliary, Microphone to PC |
| Connectivity – Outputs (2) | 2 Stereo |
| Power Requirement | 18V 5 Amp |

ACTIVBOARD SPECIFICATIONS

| Model | ActivBoard 578 Pro | ActivBoard 587 Pro | ActivBoard 595 Pro |
|------------------------|--|--|---|
| ActivBoard Size | 78in | 87in | 95in |
| Resolution | 12800 x 9200 | 14600 x 9200 | 17200 x 9200 |
| Screen Formats | 4:3 | 16:10 | 16:9 |
| Overall Dimensions | 1868mm x 1329mm 973.5in x 52.3in) | 2105mm x 1329mm (82.9in x 52.3in) | 2336mm x 1329mm (92in x 52.3in) |
| Active Area Dimensions | 1628mm x 1175mm (64in x 46in) | 1865mm x 1175mm (73.4in x 46.3in) | 2095mm x 1175mm (82.5in x 46.3in) |
| Active Area Diagonal | 2000mm (78.7in) | 2196mm (86.5in) | 2394mm (94.3in) |
| Actual Image Diagonal | 1958mm (77.1in) | 2193mm (86.4in) | 2392mm (94.2in) |
| Board Weight | 37kg (81.6lb) | 40kg (88lb) | 48kg (106lb) |
| Packed Weight | 52kg (114.6lb) | 57kg (126lb) | 65kg (143lb) |
| Packed Dimensions | 2025mm x 1500mm x 110mm (79.9in x 59in x 4.3in) | 2270mm x 1500mm x 110mm (89.4in x 59.1in x 4.3in) | 2572 mm x 1495mm x 110mm (101.3in x 58.9in x 4.33in) |

MINIMUM COMPUTER REQUIREMENTS

| | |
|-------------------|---|
| Operating Systems | Windows XP SP3 and above (XP/Vista/7); Mac OSX 10.4.11 – 10.6.4 (Tiger/Leopard/Snow Leopard); Linux Ubuntu 9.10 or 10.04; Debian Lenny; Linex Colegios 2010; Linkat 3; ALT_Linux (Russia) |
| PC | 2.0 GHz Intel Core 2 Duo or faster for HD-quality videos, 1 GB of RAM is required to play HD-quality videos, 1024 x 768 resolution, 1.5 GB of Free Disk Space |
| Mac | 2.0 GHz Intel Core 2 Duo, 512 MB of RAM, 1024 x 768 resolution, 3.0 GB of Free Disk Space |
| Linux | 2.0 GHz Processor or faster for HD-quality videos, 1 GB of RAM is required to play HD-quality videos, 1024 x 768 resolution, 1.5 GB of Free Disk Space |

ActivBoard Systems/Boards SS 02/12 V3.0 US

©2012 Promethean Limited. All rights reserved. Promethean Ltd. is owner of a number of trademarks in several jurisdictions across the world. Any third-party product and company names are mentioned for identification purposes only and may be trademarks of their respective owners. ¹Applicable Terms and Conditions for warranty and support available at www.PrometheanWorld.com/ActivCare. All dimensions +/- 5mm (0.2in). All weights +/- 0.9kg (2lb). Product Specifications are subject to change without notice. www.PrometheanWorld.com

MOBILE STAND SPECIFICATIONS

| | |
|---|---|
| Projector Model | Extreme Short Throw |
| Height Settings | Height-adjustable mount, with 600mm (23.6in) of adjustment from 350mm (13.8in) to 950mm (37.4in) ± 50mm (1.9in). Top and bottom limit stops are fitted if the full range of movement is not required/appropriate. Height adjustment is powered by an electrical motor and is operated using a switch on the side of the stand |
| Actuator Specification | <p>Input Voltage: 24VDC Max Load: 750N Static Load: more than 750N Speed: 30mm/s (no load), 20mm/s (750N) Stroke Length: 600 ± 2mm Retracted Length: 795 ± 2mm End Mounting Dimension: H Type, ø10.1 hole, 6.3mm Slot Limit Switch: Built-in Duty Cycle: S2-10min Temperature: -26° to 65°C IP Degree: IP54 AC-DC Adaptor: Input Voltage: 100 ~ 240VAC Output Voltage: 29VDC Current: 2Amp (4Amp protected) Cable and Plug: 1.5m, IEC Plug</p> |
| Projector Boom | Projector extends up to 929mm (36.6in) from the back of the System. Projector Boom adjusts with the height of the ActivBoard reducing the need for specific re-calibration following height adjustment |
| Mobile Base Dimensions | 1400mm x 740mm (55.1in x 29.1in) |
| Room Height Requirements | Minimum 2592mm (100.9in) for full range operation |
| Door Size Requirements | Minimum door height clearance of 1992mm (77.2in) and door width clearance of 775mm (30.5in). |
| Minimum Turning Circle Requirement | See Technical Drawing Specifications |
| Integrated Power Management | For ActivBoard, Mobile Stand and Projector. There will be one lead from the Mobile System to plug into a wall socket |
| Frame Weight (approx.) | Frame only: 90kg (198.4lb); excl. board, projector, cabling and accessories |
| Connectivity Panel | Connectivity panel with inputs for 2 x fully wired VGA (to support VESA DDC) plus 3.5mm stereo jack audio inputs, USB-B input (for ActivBoard), S-Video, composite video plus auxiliary audio jack inputs, Cat 5e Ethernet input. Connectivity panel is mounted to the left hand-side of the Support Frame (when facing the system) |
| Cables | Cable assembly includes: 2 x 3.6m (11.8ft) VGA panel mount (fully wired to support VESA DDC), 3.6m (11.8ft) S-Video panel mount, 3.6m (11.8ft) composite video panel mount, 3.6m (11.8ft) Ethernet panel mount, 2.5m (8.2ft) USB patch cable (to connect computer to face plate). 2.3m (7.5ft) right angle stereo jack to panel mount jack socket, 2.3m (7.5ft) right angle stereo jack to panel mount phono pair, for PC audio input (to connect computer to face plate). 2m (6.6ft) VGA cable provided in the projector box (to connect the computer to the face plate) |

CONTINUED ON NEXT PAGE

ActivBoard Systems/Boards SS 02/12 V3.0 US

©2012 Promethean Limited. All rights reserved. Promethean Ltd. is owner of a number of trademarks in several jurisdictions across the world. Any third-party product and company names are mentioned for identification purposes only and may be trademarks of their respective owners. ¹Applicable Terms and Conditions for warranty and support available at www.PrometheanWorld.com/ActivCare. All dimensions +/- 5mm (0.2in). All weights +/- 0.9kg (2lb). Product Specifications are subject to change without notice. www.PrometheanWorld.com

MOBILE STAND SPECIFICATIONS (CONTINUED)

Pack Weights & Dimensions

Box 1 of 4: 14kg (30.9lb)
Dimensions: 217mm x 1427mm x 467mm (8.54in x 56.18in x 18.39in)
Contents: Boom

Box 2 of 4: 27kg (59.5lb)
Dimensions: 182mm x 1652mm x 442mm (7.2in x 65in x 17.4in)
Contents: Spine

Box 3 of 4: 21kg (46.3lb)
Dimensions: 128mm x 1782mm x 822mm (5.04in x 70.16in x 32.36in)
Contents: Frame

Box 4 of 4: 44kg (97lb)
Dimensions: 202mm x 1442mm x 782mm (7.95in x 56.77in x 30.79in)
Contents: Mobile Base

PROJECTOR SPECIFICATIONS

| | |
|---------------------------------|--|
| Model | EST-P1 (DLP) |
| Native Resolution | WXGA (1280 x 800) |
| Compressed Resolution | up to 1080i |
| Typical Colors | 16.77 million colors |
| Brightness (ANSI lumens) | 2200 ANSI (normal) 2500 ANSI (high) |
| Contrast Ratio | 2000:1 |
| Noise Level | 27dB (normal) 31dB (high brightness mode) |
| Dimensions (w x d x h) | 354mm x 319mm x 157mm (13.9in x 12.6in x 6.1in) not including lens 354mm x 411mm x 219mm (13.9in x 16.1in x 8.6in) including lens |
| Weight | 9kg (19.8lb) |
| Aspect Ratio | 16:10 (native), 4:3, 16:9 |
| Power Consumption | 290W (<1W standby) |
| Device Type | DLP Technology |
| Focus | Manual Focus |
| Zoom | N/A |
| Focal Length | F=2.4 |
| Projection Distance | 0.39m ~ 0.56m (15in ~ 22in) |
| Projection Screen Size | 1.98m ~2.79m (78in ~ 110in) |
| Lamp Type | 220W lamp |
| Lamp Life | 6000hrs (normal), 4000hrs (high) |
| Keystone Correction | Vertical: max ±15° |
| Operating Temperature | 5°C ~ 35°C (41°F ~ 95°F) |
| Power Supply Voltage | 100 - 240V AC, 50/60Hz |
| Horizontal Scan Rate | 15Hz ~ 90kHz |
| Vertical Scan Rate | 43Hz ~ 85Hz |

CONTINUED ON NEXT PAGE

ActivBoard Systems/Boards SS 02/12 V3.0 US



©2012 Promethean Limited. All rights reserved. Promethean Ltd. is owner of a number of trademarks in several jurisdictions across the world. Any third-party product and company names are mentioned for identification purposes only and may be trademarks of their respective owners. ¹Applicable Terms and Conditions for warranty and support available at www.PrometheanWorld.com/ActivCare. All dimensions +/- 5mm (0.2in). All weights +/- 0.9kg (2lb). Product Specifications are subject to change without notice. www.PrometheanWorld.com

PROJECTOR SPECIFICATIONS (CONTINUED)

| | |
|------------------------------------|---|
| Computer Compatibility | IBM PC and Compatibles; Apple Macintosh, iMac, and VESA Standards WSXGA+ (1,680 x 1,050), WXGA+ (1,440 x 900), WXGA (1,280 x 800, 1,280 x 768), UXGA (1,600 x 1,200), SXGA+ (1,400 x 1,050), SXGA (1,280 x 1,024), XGA (1,024 x 768), SVGA (800 x 600), VGA (640 x 480) |
| Video Compatibility | NTSC (3.58/4.43), PAL (B/D/G/H/I/M/N), SECAM (B/D/G/K/K1/L), HDTV (720p, 1080i, 1035i), EDTV (480p, 575i), SDTV (480i, 576i) |
| Inputs/Outputs | D-sub 15 (RGB) x 2 D-sub 15 (Monitor out) x 1 HDMI V1.3 only for Video x 1 S-Video x 1 Composite Video (RCA) x 1 USB control x 1 Networking LAN (RJ45) x 1 RS-232C (D-sub 9) x 1 |
| Color | Silver |
| Security | Kensington Lock, Security cable bar option, pin code security, remote control operated only |
| On-screen Menu | Arabic, Chinese (Simplified), Chinese (Traditional), Czech, Dutch, English, Finnish, French, German, Greek, Hungarian, Italian, Japanese, Korean, Norwegian, Polish, Portuguese, Russian, Spanish, Swedish, Thai, Turkish |
| Advanced Features | Filter-less 3D Ready Crestron RoomView Express Quick Lamp Access Direct power on/off Closed Caption |
| Packed Contents List | Projector, Power cord, computer cable (D-sub15 – D-sub15), wireless remote, owner's manual (CD - ROM & Quick Start Guide) |
| Pack Weights and Dimensions | Box 1 of 1: 13.5kg (29.7lb) Dimensions: 572mm x 496mm x 310mm (22.5in x 19.5in x 12.2in) Contents: Projector |

ActivBoard Systems/Boards SS 02/12 V3.0 US

©2012 Promethean Limited. All rights reserved. Promethean Ltd. is owner of a number of trademarks in several jurisdictions across the world. Any third-party product and company names are mentioned for identification purposes only and may be trademarks of their respective owners. ¹Applicable Terms and Conditions for warranty and support available at www.PrometheanWorld.com/ActivCare. All dimensions +/- 5mm (0.2in). All weights +/- 0.9kg (2lb). Product Specifications are subject to change without notice. www.PrometheanWorld.com

