



ActivBoard 300 Pro Mobile System with EST-P1 projector

THIS DOCUMENT CONTAINS SPECIFICATIONS FOR

ActivBoard
Mobile Stand
Projector

DESCRIPTION

The ActivBoard 300 Pro with Dual-User capability is available in 78", 87" and 95" versions with integrated slim-line speakers and amplifier, ActivInspire Professional Edition and Promethean ActivOffice. The Mobile System is easy to move and includes an Extreme Short Throw Projector.

SYSTEM OVERVIEW

Installation

The installation of this product should be completed by a Promethean Certified Installer. Please visit www.PrometheanWorld.com/ActivCare/installationtc. Components supplied and minimum specifications stated have been tested and are required for optimal performance. Use of components not supplied by Promethean or not meeting minimum specifications may impact performance and affect warranty. Contact your Promethean partner or visit www.PrometheanKB.com for more information

Warranty

For Promethean Warranty Information please visit: www.PrometheanWorld.com/ActivCare

Support

Online Support for all Promethean Products available from: www.PrometheanKB.com

Complete System Weight (approx.)

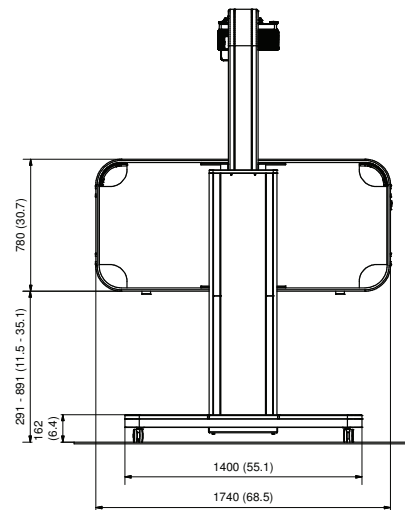
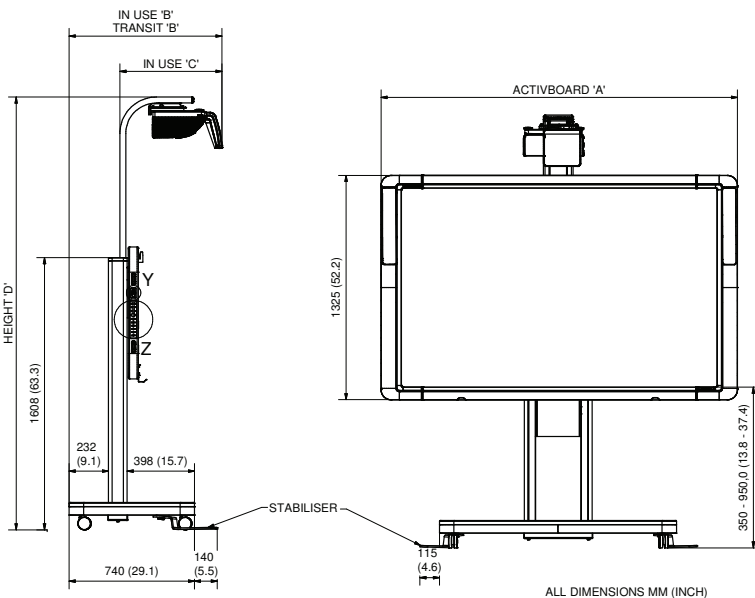
ActivBoard 378 Pro including Projector 138kg (303.9lb)
ActivBoard 387 Pro including Projector 141kg (310.2lb)
ActivBoard 395 Pro including Projector 145kg (319.3lb)

UPGRADE AND ACCESSORY OPTIONS

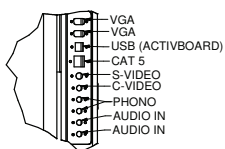
Wireless Upgrade Pack 300	Allows the ActivBoard 300 Pro to connect to the computer wirelessly; includes an ActivHub (2.4 GHz), PSU (Power Supply Unit) and Quick Start Guide
ActivWand 50	Wireless, battery-free and extended reach input device for the ActivBoard – 540mm (21.2in) in length; “left click”, cursor and hover, just like a mouse
Mobile Stand Drawer	Optional* drawer in the base of the System (includes lock and key), and can be used to store sets of ActivExpressions, ActiVotes, ActivSlate or the EST-P1 remote control *Mobile Stand drawer is included with the Mobile System in the EU region
Dry Erase Whiteboard	Optional dry erase whiteboard, can use 1 or 2 dry erase whiteboards per System
ActivBoard System Shelf	Storage for 1 laptop, with a maximum size a standard 43cm (17in) laptop. Lockable System Shelf also available as an option

TECHNICAL DRAWING SPECIFICATIONS

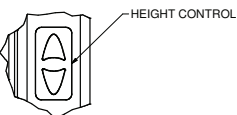
DIMENSION	78"	87"	95"
ACTIVBOARD 'A'	1868 (73.5)	2105 (82.9)	2412 (95)
IN USE 'B'	909 (35.8)	889 (34.6)	929 (36.6)
TRANSIT 'B'	758 (29.8)	738 (29.1)	778 (30.6)
IN USE 'C' ±10 (±0.4)	608 (23.9)	558 (23.2)	628 (24.7)
TRANSIT 'C' ±10 (±0.4)	458 (18)	438 (17.2)	478 (18.8)
HEIGHT 'D'	1990 - 2590 (78.3 - 102)	1960 - 2560 (77.2 - 100.8)	1990 - 2590 (78.3 - 102)
TURNING CIRCLE 'E'	1868 (73.5)	2105 (82.9)	2412 (95)



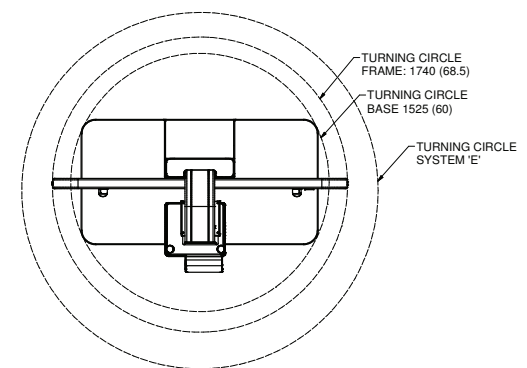
Z (1:4)



Y (1:2)



TRANSIT 'C'



Promethean recommends the use of the Stabilizers when in use

Please note minimum turning circle, width and height dimensions as a consideration when moving the Mobile System from room to room

ACTIVBOARD GENERAL SPECIFICATIONS

Internal Resolution	2730 points (lines) per inch
Output Resolution	200 points (lines) per inch
Tracking Rate	200 inches per second providing a fast response to pen commands
Output Rate	120 coordinate pairs per second
User Input	Cordless battery-free pen incorporating tip switch and side switch for full mouse functionality (ActivPen)
Digitizing Technology	Passive Electromagnetic
Power Requirement	Mains Powered; 18V Power Supply Unit
Connection to Computer	USB 2.0, 1 x 5m USB data cable supplied
Screen Surface	Low Glare Melamine
Certifications	UL, CE, FCC
Operating Temperature	0°C to +50°C (14°F to 122°F)
Storage Temperature	-20°C to +70°C (-4°F to 158°F)
Storage Humidity	0% to 90% (non-condensing)
Dual User Functionality	2 Instructor and 2 Participant ActivPens included
Integrated USB Sound	Two integrated slim-line speakers and amplifier (with controls, inputs and outputs)
Packed Contents List	ActivBoard, 2 ActivPens (Instructor), 2 ActivPens (Participant), 1 Amp PSU, Wall Mounting Brackets, Installation Guide, Access to ActivInspire Professional Edition and Promethean ActivOffice via download (ActivInspire Professional Edition is also available on DVD on request)

INTEGRATED USB SOUND SPECIFICATIONS

Amplifier Power Output	20W per channel RMS (<1% distortion)
Controls	Volume, Bass, Treble, on/off
Amplifier Frequency Response	40Hz to 18kHz +/-3dB (at 1W)
USB Sound	USB Sound supported for Minimum System Requirements stated
Connectivity – Inputs (4)	Stereo PC, Stereo CD/DVD, Mono Auxiliary, Microphone to PC
Connectivity – Outputs (2)	2 Stereo
Power Requirement	18V 3.3 Amp

ActivBoard Systems/Boards SS 11/11 V2.0 US

©2011 Promethean Limited. All rights reserved. Promethean Ltd. is owner of a number of trademarks in several jurisdictions across the world. Any third-party product and company names are mentioned for identification purposes only and may be trademarks of their respective owners. ¹Applicable Terms and Conditions for warranty and support available at www.PrometheanWorld.com/ActivCare. All dimensions +/- 5mm (0.2in). All weights +/- 0.9kg (2lb). Product Specifications are subject to change without notice. www.PrometheanWorld.com

ACTIVBOARD SPECIFICATIONS BY MODEL

Model	ActivBoard 378 Pro	ActivBoard 387 Pro	ActivBoard 395 Pro
ActivBoard Size	78in	87in	95in
Resolution	12800 x 9200	14600 x 9200	17200 x 9200
Screen Formats	4:3	16:10	16:9
Overall Dimensions	1868mm x 1329mm (73.5in x 52.3in)	2105mm x 1329mm (82.9in x 52.3in)	2412mm x 1329mm (95in x 52in)
Active Area Dimensions	1628mm x 1175mm (64in x 46in)	1865mm x 1175mm (73in x 46in)	2172mm x 1175mm (86in x 46in)
Active Area Diagonal	2000mm (78.7in)	2196mm (86.5in)	2462mm (96.9in)
Actual Image Diagonal	1958mm (77.1in)	2193mm (86.4in)	2397mm (94.4in)
Board Weight	28kg (61.7lb)	31kg (68.3lb)	35kg (77.1lb)
Packed Weight	43kg (94.7lb)	47kg (103.6lb)	52kg (114.6lb)
Packed Dimensions	2025mm x 1500mm x 110mm (79.9in x 59in x 4.3in)	2270mm x 1500mm x 110mm (89.4in x 59in x 4.3in)	2570mm x 1500mm x 110mm (101.1in x 59in x 4.3in)

MINIMUM SYSTEM REQUIREMENTS

Operating Systems	Windows XP SP2 and above (XP/Vista/7); Mac OSX 10.4.11 – 10.6.1 (Tiger/Leopard/Snow Leopard); Linux Ubuntu 9.04, 9.10; Debian
PC	Pentium 4 – 1 GHz processor (800MHz for Vista), 512 MB of RAM, 1024x768 resolution, 1.5 GB of free disk space
Mac	Macintosh Intel Processors (Universal Binary), 512 MB of RAM, 1024x768 resolution, 3.0 GB of free disk space

MOBILE STAND SPECIFICATIONS

Projector Model	Extreme Short Throw
Height Settings	Height-adjustable mount, with 600mm (23.6in) of adjustment from 350mm (13.8in) to 950mm (37.4in) ± 50mm (1.9in). Top and bottom limit stops are fitted if the full range of movement is not required/appropriate. Height adjustment is powered by an electrical motor and is operated using a switch on the side of the stand
Actuator Specification	<p>Input Voltage: 24VDC Max Load: 750N Static Load: more than 750N Speed: 30mm/s (no load), 20mm/s (750N) Stroke Length: 600 ± 2mm Retracted Length: 795 ± 2mm End Mounting Dimension: H Type, ø10.1 hole, 6.3mm Slot Limit Switch: Built-in Duty Cycle: S2-10min Temperature: -26° to 65°C IP Degree: IP54 AC-DC Adaptor: Input Voltage: 100 ~ 240VAC Output Voltage: 29VDC Current: 2Amp (4Amp protected) Cable and Plug: 1.5m, IEC Plug</p>
Projector Boom	Aluminum boom arm, extends 740mm (29.1in) from the back of the System. Projector Boom adjusts with the height of the ActivBoard reducing the need for specific re-calibration following height adjustment
Mobile Base Dimensions	1400mm x 740mm (55.1in x 29.1in)
Room Height Requirements	Minimum 2562mm (100.9in) for full range operation
Door Size Requirements	Minimum door height clearance of 1962mm (77.2in) and door width clearance of 775mm (30.5in).
Minimum Turning Circle Requirement	See Technical Drawing Specifications at the end of this document
Integrated Power Management	For ActivBoard, Mobile Stand and Projector. There will be one lead from the Mobile System to plug into a wall socket
Frame Weight (approx.)	Frame only: 100kg (220.5lb); excl. board, projector, cabling and accessories
Connectivity Panel	Connectivity panel with inputs for 2 x fully wired VGA (to support VESA DDC) plus 3.5mm stereo jack audio inputs, USB-B input (for ActivBoard), S-Video, composite video plus auxiliary audio jack inputs, Cat 5e Ethernet input. Connectivity panel is mounted to the left hand-side of the Support Frame (when facing the system)
Cables	Cable assembly includes: 2 x 3.6m (11.8ft) VGA panel mount (fully wired to support VESA DDC), 3.6m (11.8ft) S-Video panel mount, 3.6m (11.8ft) composite video panel mount, 3.6m (11.8ft) Ethernet panel mount, 2.5m (8.2ft) USB patch cable (to connect computer to face plate). 2.3m (7.5ft) right angle stereo jack to panel mount jack socket, 2.3m (7.5ft) right angle stereo jack to panel mount phono pair, for PC audio input (to connect computer to face plate). 2m (6.6ft) VGA cable provided in the projector box (to connect the computer to the face plate)

CONTINUED ON NEXT PAGE

ActivBoard Systems/Boards SS 11/11 V2.0 US

©2011 Promethean Limited. All rights reserved. Promethean Ltd. is owner of a number of trademarks in several jurisdictions across the world. Any third-party product and company names are mentioned for identification purposes only and may be trademarks of their respective owners. ¹Applicable Terms and Conditions for warranty and support available at www.PrometheanWorld.com/ActivCare. All dimensions +/- 5mm (0.2in). All weights +/- 0.9kg (2lb). Product Specifications are subject to change without notice. www.PrometheanWorld.com

MOBILE STAND SPECIFICATIONS (CONTINUED)

Pack Weights & Dimensions

Box 1 of 4: 13kg (28.7lb)
Dimensions: 217mm x 1427mm x 467mm (8.54in x 56.18in x 18.39in)
Contents: Boom

Box 2 of 4: 28kg (61.7lb)
Dimensions: 182mm x 1652mm x 442mm (7.2in x 65in x 17.4in)
Contents: Spine

Box 3 of 4: 22kg (48.5lb)
Dimensions: 128mm x 1782mm x 822mm (5.04in x 70.16in x 32.36in)
Contents: Frame

Box 4 of 4: 42kg (92.6lb)
Dimensions: 202mm x 1442mm x 782mm (7.95in x 56.77in x 30.79in)
Contents: Mobile Base

Product Specifications

PROJECTOR SPECIFICATIONS

Model	EST-P1 (DLP)
Native Resolution	WXGA (1280 x 800)
Compressed Resolution	up to 1080i
Typical Colors	16.77 million colors
Brightness (ANSI lumens)	2200 ANSI (normal) 2500 ANSI (high)
Contrast Ratio	2000:1
Noise Level	27dB (normal) 31dB (high brightness mode)
Dimensions (w x d x h)	354mm x 319mm x 157mm (13.9in x 12.6in x 6.1in) not including lens 354mm x 411mm x 219mm (13.9in x 16.1in x 8.6in) including lens
Weight	9kg (19.8lb)
Aspect Ratio	16:10 (native), 4:3, 16:9
Power Consumption	290W (<1W standby)
Device Type	DLP Technology
Focus	Manual Focus
Zoom	N/A
Focal Length	F=2.4
Projection Distance	0.39m ~ 0.56m (15in ~ 22in)
Projection Screen Size	1.98m ~2.79m (78in ~ 110in)
Lamp Type	220W lamp
Lamp Life	6000hrs (normal), 4000hrs (high)
Keystone Correction	Vertical: max ±15°
Operating Temperature	5°C ~ 35°C (41°F ~ 95°F)
Power Supply Voltage	100 - 240V AC, 50/60Hz
Horizontal Scan Rate	15Hz ~ 90kHz
Vertical Scan Rate	43Hz ~ 85Hz

CONTINUED ON NEXT PAGE

ActivBoard Systems/Boards SS 11/11 V2.0 US



©2011 Promethean Limited. All rights reserved. Promethean Ltd. is owner of a number of trademarks in several jurisdictions across the world. Any third-party product and company names are mentioned for identification purposes only and may be trademarks of their respective owners. ¹Applicable Terms and Conditions for warranty and support available at www.PrometheanWorld.com/ActivCare. All dimensions +/- 5mm (0.2in). All weights +/- 0.9kg (2lb). Product Specifications are subject to change without notice. www.PrometheanWorld.com

PROJECTOR SPECIFICATIONS (CONTINUED)

Computer Compatibility	IBM PC and Compatibles; Apple Macintosh, iMac, and VESA Standards WSXGA+ (1,680 x 1,050), WXGA+ (1,440 x 900), WXGA (1,280 x 800, 1,280 x 768), UXGA (1,600 x 1,200), SXGA+ (1,400 x 1,050), SXGA (1,280 x 1,024), XGA (1,024 x 768), SVGA (800 x 600), VGA (640 x 480)
Video Compatibility	NTSC (3.58/4.43), PAL (B/D/G/H/I/M/N), SECAM (B/D/G/K/K1/L), HDTV (720p, 1080i, 1035i), EDTV (480p, 575i), SDTV (480i, 576i)
Inputs/Outputs	D-sub 15 (RGB) x 2 D-sub 15 (Monitor out) x 1 HDMI V1.3 only for Video x 1 S-Video x 1 Composite Video (RCA) x 1 USB control x 1 Networking LAN (RJ45) x 1 RS-232C (D-sub 9) x 1
Color	Silver
Security	Kensington Lock, Security cable bar option, pin code security, remote control operated only
On-screen Menu	Arabic, Chinese (Simplified), Chinese (Traditional), Czech, Dutch, English, Finnish, French, German, Greek, Hungarian, Italian, Japanese, Korean, Norwegian, Polish, Portuguese, Russian, Spanish, Swedish, Thai, Turkish
Advanced Features	Filter-less 3D Ready Crestron RoomView Express Quick Lamp Access Direct power on/off Closed Caption
Packed Contents List	Projector, Power cord, computer cable (D-sub15 – D-sub15), wireless remote, owner's manual (CD - ROM & Quick Start Guide)
Pack Weights and Dimensions	Box 1 of 1: 13.5kg (29.7lb) Dimensions: 572mm x 496mm x 310mm (22.5in x 19.5in x 12.2in) Contents: Projector

ActivBoard Systems/Boards SS 11/11 V2.0 US



©2011 Promethean Limited. All rights reserved. Promethean Ltd. is owner of a number of trademarks in several jurisdictions across the world. Any third-party product and company names are mentioned for identification purposes only and may be trademarks of their respective owners. ¹Applicable Terms and Conditions for warranty and support available at www.PrometheanWorld.com/ActivCare. All dimensions +/- 5mm (0.2in). All weights +/- 0.9kg (2lb). Product Specifications are subject to change without notice. www.PrometheanWorld.com