



ActivBoard 300 Pro Fixed with PRM-30a or PRM-35 projector



ActivBoard 300 Pro Fixed with EST-P1 projector

THIS DOCUMENT CONTAINS SPECIFICATIONS FOR

ActivBoard
Fixed Frame
Projector

DESCRIPTION

The ActivBoard 300 Pro with Dual-User capability is available in 78", 87" and 95" versions with integrated slim-line speakers and amplifier, ActivInspire Professional Edition and Promethean ActivOffice. The Fixed System includes a fixed wall mount and choice of Extreme Short Throw or Short Throw projector.

SYSTEM OVERVIEW

Installation

The installation of this product should be completed by a Promethean Certified Installer. Please visit www.PrometheanWorld.com/ActivCare/installationtc. Components supplied and minimum specifications stated have been tested and are required for optimal performance. Use of components not supplied by Promethean or not meeting minimum specifications may impact performance and affect warranty. Contact your Promethean partner or visit www.PrometheanKB.com for more information

Warranty

For Promethean Warranty Information please visit: www.PrometheanWorld.com/ActivCare

Support

Online Support for all Promethean Products available from: www.PrometheanKB.com

Complete System Weight (approx.)

ActivBoard 378 Pro including;
PRM-30a Projector 64.4kg (141.8lb)
PRM-35 Projector 61.4kg (135.2lb)
ActivBoard 387 Pro including;
PRM-30a Projector 68.4kg (150.6lb)
PRM-35 Projector 65.4kg (144lb)
ActivBoard 395 Pro including;
PRM-30a Projector 71.4kg (157.2lb)
PRM-35 Projector 68.4kg (150.6lb)

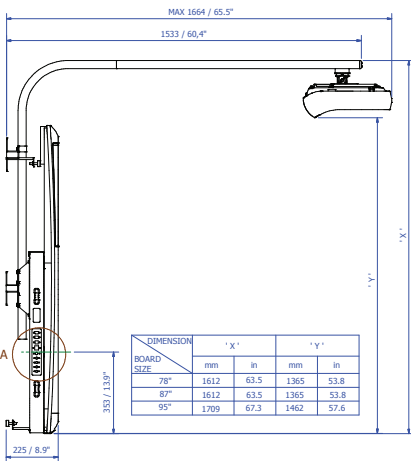
ActivBoard 378 Pro including;
EST-P1 Projector 64kg (140.9lb)
ActivBoard 387 Pro including;
EST-P1 Projector 68kg (149.7lb)
ActivBoard 395 Pro including;
EST-P1 Projector 71kg (156.3lb)

UPGRADE AND ACCESSORY OPTIONS

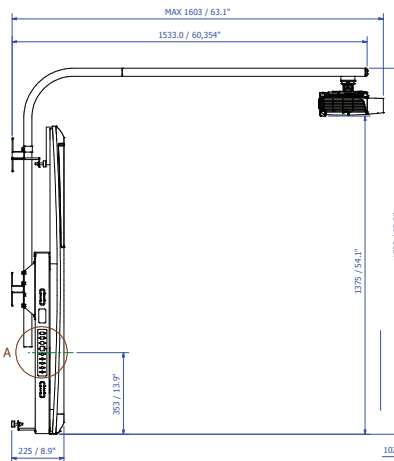
| | |
|----------------------------------|---|
| Wireless Upgrade Pack 300 | Allows the ActivBoard 300 Pro to connect to the computer wirelessly; includes an ActivHub (2.4 GHz), PSU (Power Supply Unit) and Quick Start Guide |
| Cable Wall Box | Connectivity box with inputs for 2 x fully wired VGA (to support VESA DDC) plus 3.5mm stereo jack audio inputs, USB-B input (for ActivBoard), S-Video, composite video plus auxiliary audio jack inputs, Cat 5e Ethernet input. Allows additional flexibility during installation, where the computer is located further away from the System |
| ActivWand 50 | Wireless, battery-free and extended reach input device for the ActivBoard – 540mm (21.2in) in length; “left click”, cursor and hover, just like a mouse |
| Dry Erase Whiteboard | Optional dry erase whiteboard, can use 1 or 2 dry erase whiteboards per System |
| ActivBoard System Shelf | Storage for 1 laptop, with a maximum size of a standard 43cm (17in) laptop. Lockable System Shelf also available as an option |

TECHNICAL DRAWING

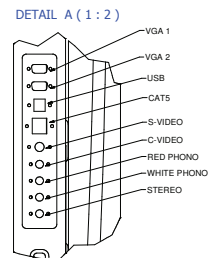
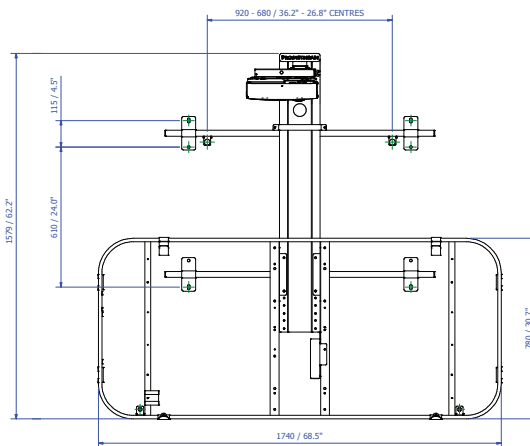
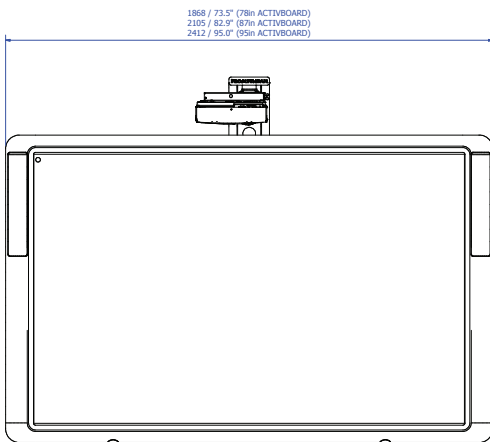
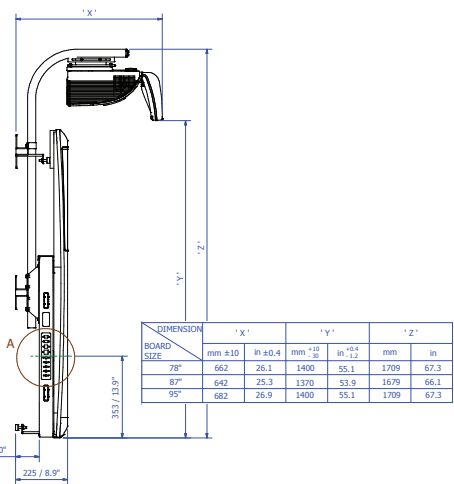
PRM-30a



PRM-35



EST-P1



ACTIVBOARD GENERAL SPECIFICATIONS

| | |
|-------------------------|---|
| Internal Resolution | 2730 points (lines) per inch |
| Output Resolution | 200 points (lines) per inch |
| Tracking Rate | 200 inches per second providing a fast response to pen commands |
| Output Rate | 120 coordinate pairs per second |
| User Input | Cordless battery-free pen incorporating tip switch and side switch for full mouse functionality (ActivPen) |
| Digitizing Technology | Passive Electromagnetic |
| Power Requirement | Mains Powered; 18V Power Supply Unit |
| Connection to Computer | USB 2.0, 1 x 5m USB data cable supplied |
| Screen Surface | Low Glare Melamine |
| Certifications | UL, CE, FCC |
| Operating Temperature | 0°C to +50°C (14°F to 122°F) |
| Storage Temperature | -20°C to +70°C (-4°F to 158°F) |
| Storage Humidity | 0% to 90% (non-condensing) |
| Dual User Functionality | 2 Instructor and 2 Participant ActivPens included |
| Integrated USB Sound | Two integrated slim-line speakers and amplifier (with controls, inputs and outputs) |
| Packed Contents List | ActivBoard, 2 ActivPens (Instructor), 2 ActivPens (Participant), 1 Amp PSU, Wall Mounting Brackets, Installation Guide, Access to ActivInspire Professional Edition and Promethean ActivOffice via download (ActivInspire Professional Edition is also available on DVD on request) |

INTEGRATED USB SOUND SPECIFICATIONS

| | |
|------------------------------|--|
| Amplifier Power Output | 20W per channel RMS (<1% distortion) |
| Controls | Volume, Bass, Treble, on/off |
| Amplifier Frequency Response | 40Hz to 18kHz +/-3dB (at 1W) |
| USB Sound | USB Sound supported for Minimum System Requirements stated |
| Connectivity – Inputs (4) | Stereo PC, Stereo CD/DVD, Mono Auxiliary, Microphone to PC |
| Connectivity – Outputs (2) | 2 Stereo |
| Power Requirement | 18V 3.3 Amp |

ActivBoard Systems/Boards SS 11/11 V2.0 US

©2011 Promethean Limited. All rights reserved. Promethean Ltd. is owner of a number of trademarks in several jurisdictions across the world. Any third-party product and company names are mentioned for identification purposes only and may be trademarks of their respective owners. ¹Applicable Terms and Conditions for warranty and support available at www.PrometheanWorld.com/ActivCare. All dimensions +/- 5mm (0.2in). All weights +/- 0.9kg (2lb). Product Specifications are subject to change without notice. www.PrometheanWorld.com

ACTIVBOARD SPECIFICATIONS BY MODEL

| Model | ActivBoard 378 Pro | ActivBoard 387 Pro | ActivBoard 395 Pro |
|------------------------|--|--|---|
| ActivBoard Size | 78in | 87in | 95in |
| Resolution | 12800 x 9200 | 14600 x 9200 | 17200 x 9200 |
| Screen Formats | 4:3 | 16:10 | 16:9 |
| Overall Dimensions | 1868mm x 1329mm (73.5in x 52.3in) | 2105mm x 1329mm (82.9in x 52.3in) | 2412mm x 1329mm (95in x 52in) |
| Active Area Dimensions | 1628mm x 1175mm (64in x 46in) | 1865mm x 1175mm (73in x 46in) | 2172mm x 1175mm (86in x 46in) |
| Active Area Diagonal | 2000mm (78.7in) | 2196mm (86.5in) | 2462mm (96.9in) |
| Actual Image Diagonal | 1958mm (77.1in) | 2193mm (86.4in) | 2397mm (94.4in) |
| Board Weight | 28kg (61.7lb) | 31kg (68.3lb) | 35kg (77.1lb) |
| Packed Weight | 43kg (94.7lb) | 47kg (103.6lb) | 52kg (114.6lb) |
| Packed Dimensions | 2025mm x 1500mm x 110mm (79.9in x 59in x 4.3in) | 2270mm x 1500mm x 110mm (89.4in x 59in x 4.3in) | 2570mm x 1500mm x 110mm (101.1in x 59in x 4.3in) |

MINIMUM SYSTEM REQUIREMENTS

| | |
|-------------------|---|
| Operating Systems | Windows XP SP2 and above (XP/Vista/7); Mac OSX 10.4.11 – 10.6.1 (Tiger/Leopard/Snow Leopard); Linux Ubuntu 9.04, 9.10; Debian |
| PC | Pentium 4 – 1 GHz processor (800MHz for Vista), 512 MB of RAM, 1024x768 resolution, 1.5 GB of free disk space |
| Mac | Macintosh Intel Processors (Universal Binary), 512 MB of RAM, 1024x768 resolution, 3.0 GB of free disk space |

Product Specifications

FIXED FRAME SPECIFICATIONS

| Projector Type | Short Throw | Extreme Short Throw |
|-----------------------------|--|---|
| Projector Mount | Aluminum arm, extends 1605mm (63in) from the wall | Aluminum arm, extends 550mm (21.7in) from the wall |
| Integrated Power Management | For ActivBoard and projector | For ActivBoard and projector |
| Frame Weight (approx.) | Frame only: 28.7kg (63.3lb) excl. board, projector and cabling | Frame only: 25kg (56.7lb) excl. board, projector and cabling |
| Connectivity Panel | Connectivity panel with inputs for 2 x fully wired VGA (to support VESA DDC) plus 3.5mm stereo jack audio inputs, USB-B input (for ActivBoard), S-Video, composite video plus auxiliary audio jack inputs, Cat 5e Ethernet input. Connectivity panel can be mounted on the left or right-hand side of the frame. | Connectivity panel with inputs for 2 x fully wired VGA (to support VESA DDC) plus 3.5mm stereo jack audio inputs, USB-B input (for ActivBoard), S-Video, composite video plus auxiliary audio jack inputs, Cat 5e Ethernet input. Connectivity panel can be mounted on the left or right-hand side of the frame. |
| Cables | Cable assembly includes; 2 x 4m (13.1ft) VGA panel mount (fully wired to support VESA DDC), 4m (13.1ft) S-Video panel mount, 4m (13.1ft) composite video panel mount, 4m (13.1ft) Ethernet panel mount, 2.8m (9.2ft) USB cable, 2.5m (8.2ft) right angle stereo jack to panel mount jack socket, 2.5m (8.2ft) right angle stereo jack to panel mount phono pair, for PC audio input. To connect the computer to the face plate: 2m (6.6ft) USB patch cable; and a 2m (6.6ft) VGA cable provided in the projector box | Cable assembly includes; 2 x 4m (13.1ft) VGA panel mount (fully wired to support VESA DDC), 4m (13.1ft) S-Video panel mount, 4m (13.1ft) composite video panel mount, 4m (13.1ft) Ethernet panelmount, 2.8m (9.2ft) USB cable, 2.5m (8.2ft) right angle stereo jack to panel mount jack socket, 2.5m (8.2ft) right angle stereo jack to panel mount phono pair, for PC audio input. To connect the computer to the face plate: 2m (6.6ft) USB patch cable; and a 2m (6.6ft) VGA cable provided in the projector box |
| Pack Weight & Dimensions | <p>Box 1 of 2: approx. 20kg (44lb) Dimensions: 217mm x 1427mm x 467mm (8.54in x 56.18in x 18.39in) Contents: Boom</p> <p>Box 2 of 2: approx. 11.6kg (25.5lb) Dimensions: 128mm x 1782mm x 822mm (5.04in x 70.16in x 32.36in) Contents: Frame</p> | <p>Box 1 of 2: approx. 15.7kg (34.5lb) Dimensions: 217mm x 1427mm x 467mm (8.54in x 56.18in x 18.39in) Contents: Boom</p> <p>Box 2 of 2: approx. 11.6kg (25.5lb) Dimensions: 128mm x 1782mm x 822mm (5.04in x 70.16in x 32.36in) Contents: Frame</p> |

ActivBoard Systems/Boards SS 11/11 V2.0 US

©2011 Promethean Limited. All rights reserved. Promethean Ltd. is owner of a number of trademarks in several jurisdictions across the world. Any third-party product and company names are mentioned for identification purposes only and may be trademarks of their respective owners. ¹Applicable Terms and Conditions for warranty and support available at www.PrometheanWorld.com/ActivCare. All dimensions +/- 5mm (0.2in). All weights +/- 0.9kg (2lb). Product Specifications are subject to change without notice. www.PrometheanWorld.com



Product Specifications

PROJECTOR SPECIFICATIONS

| Model | EST-P1 (DLP) | PRM-35 (DLP) | PRM-30a (LCD) |
|--------------------------|--|---|--|
| Native Resolution | WXGA (1280 x 800) | WXGA (1280 x 800) | WXGA (1280 x 800) |
| Compressed Resolution | up to 1080i | up to 1080i | up to 1080i |
| Typical Colors | 16.77 million colors | 16.77 million colors | 16.77 million colors |
| Brightness (ANSI lumens) | 2200 ANSI (normal) 2500 ANSI (high) | 2100 ANSI (normal) 2500 ANSI (high) | 1900 ANSI (normal) 2500 ANSI (high) |
| Contrast Ratio | 2000:1 | 2000:1 | 500:1 |
| Noise Level | 27dB (normal) 31dB (high brightness mode) | 32dB (normal) 36dB (high brightness mode) | 29dB (normal) 36dB (high brightness mode) |
| Dimensions (w x d x h) | 354mm x 319mm x 157mm (13.9in x 12.6in x 6.1in) not including lens 354mm x 411mm x 219mm (13.9in x 16.1in x 8.6in) including lens | 306mm x 275mm x 97mm (12in x 3.8in x 10.1in) | 382mm x 430mm x 129mm (15in x 16.9in x 5in) |
| Weight | 9kg (19.8lb) | 2.7kg (6lb) | 5.7kg (12.5lb) |
| Aspect Ratio | 16:10 (native), 4:3, 16:9 | 16:10 (native), 4:3, 16:9 | 16:10 (native), 4:3, 16:9 |
| Power Consumption | 290W (<1W standby) | 230W (<1W standby) | 317W (<0.8W standby) |
| Device Type | DLP Technology | DLP Technology | LCD Technology |
| Focus | Manual Focus | Manual Focus | Manual Focus |
| Zoom | N/A | Digital Zoom | Digital Zoom |
| Focal Length | F=2.4 | F=2.86 | Fixed |
| Projection Distance | 0.39m ~ 0.56m (15in ~ 22in) | 0.54m ~ 1.22m (21.3in ~ 48in) | 0.54m ~ 1.22m (21.3in ~ 48in) |
| Projection Screen Size | 1.98m ~ 2.79m (78in ~ 110in) | 1.27m ~ 2.79m (50in ~ 110in) | 1.27m ~ 2.79m (50in ~ 110in) |
| Lamp Type | 220W lamp | 230W lamp | 230W lamp |
| Lamp Life | 6000hrs (normal), 4000hrs (high) | 6000hrs (normal), 4000hrs (high) | 4000 hrs (normal), 3000 hrs (high) |
| Keystone Correction | Vertical: max ±15° | Vertical: max ±15° | Vertical: max ±20° |
| Operating Temperature | 5°C ~ 35°C (41°F ~ 95°F) | 5°C ~ 35°C (41°F ~ 95°F) | 5°C ~ 35°C (41°F ~ 95°F) |
| Power Supply Voltage | 100 - 240V AC, 50/60Hz | 100 ~ 240V AC, 50/60Hz | 100 ~ 240V AC, 50/60Hz |
| Horizontal Scan Rate | 15Hz ~ 90kHz | 15Hz ~ 90kHz | 15Hz ~ 90kHz |
| Vertical Scan Rate | 43Hz ~ 85Hz | 50Hz ~ 85Hz | 50Hz ~ 85Hz |

CONTINUED ON NEXT PAGE

ActivBoard Systems/Boards SS 11/11 V2.0 US

©2011 Promethean Limited. All rights reserved. Promethean Ltd. is owner of a number of trademarks in several jurisdictions across the world. Any third-party product and company names are mentioned for identification purposes only and may be trademarks of their respective owners. ¹Applicable Terms and Conditions for warranty and support available at www.PrometheanWorld.com/ActivCare. All dimensions +/- 5mm (0.2in). All weights +/- 0.9kg (2lb). Product Specifications are subject to change without notice. www.PrometheanWorld.com



PROJECTOR SPECIFICATIONS (CONTINUED)

| | | | |
|------------------------------------|---|---|---|
| Computer Compatibility | IBM PC and Compatibles; Apple Macintosh, iMac, and VESA Standards WSXGA+ (1,680 x 1,050), WXGA+ (1,440 x 900), WXGA (1,280 x 800, 1,280 x 768), UXGA (1,600 x 1,200), SXGA+ (1,400 x 1,050), SXGA (1,280 x 1,024), XGA (1,024 x 768), SVGA (800 x 600), VGA (640 x 480) | IBM PC and Compatibles; Apple Macintosh, iMac, and VESA Standards WSXGA+ (1,680 x 1,050), WXGA+ (1,440 x 900), WXGA (1,280 x 800, 1,280 x 768), UXGA (1,600 x 1,200), SXGA+ (1,400 x 1,050), SXGA (1,280 x 1,024), XGA (1,024 x 768), SVGA (800 x 600), VGA (640 x 480) | IBM PC and Compatibles; Apple Macintosh, iMac, and VESA Standards WSXGA+ (1,680 x 1,050), WXGA+ (1,440 x 900), WXGA (1,280 x 800, 1,280 x 768), UXGA (1,600 x 1,200), SXGA+ (1,400 x 1,050), SXGA (1,280 x 1,024), XGA (1,024 x 768), SVGA (800 x 600), VGA (640 x 480) |
| Video Compatibility | NTSC (3.58/4.43), PAL (B/D/G/H/I/M/N), SECAM (B/D/G/K/K1/L), HDTV (720p, 1080i, 1035i), EDTV (480p, 575i), SDTV (480i, 576i) | NTSC (3.58/4.43), PAL (B/D/G/H/I/M/N), SECAM (B/D/G/K/K1/L), HDTV (720p, 1080i, 1035i), EDTV (480p, 575i), SDTV (480i, 576i) | NTSC (3.58/4.43), PAL (B/D/G/H/I/M/N), SECAM (B/D/G/K/K1/L), HDTV (720p, 1080i, 1035i), EDTV (480p, 575i), SDTV (480i, 576i) |
| Inputs/Outputs | D-sub 15 (RGB) x 2 D-sub 15 (Monitor out) x 1 HDMI V1.3 only for Video x 1 S-Video x 1 Composite Video (RCA) x 1 USB control x 1 Networking LAN (RJ45) x 1 RS-232C (D-sub 9) x 1 | D-sub 15 (RGB) x 2 D-sub 15 (Monitor out) x 1 HDMI V.1.3 only for Video x 1 S-Video x 1 Composite Video (RCA) x 1 USB control x1 Networking LAN (RJ45) x 1 RS-232C (D-sub 9) x 1 | D-sub 15 (RGB) x 1 D-sub 15 (RGB) selectable x 1 HDMI (Digital RGB) x 1 S-Video x 1 Composite Video (RCA) x 1 RCA (white/red) x 1 Networking LAN (RJ45) x 1 RS-232C (D-sub 9) x 1 Stereo mini-jack x 1 |
| Color | Silver | Silver | Silver |
| Security | Kensington Lock, Security cable bar option, pin code security, remote control operated only | Kensington Lock, Security cable bar option, pin code security, remote control operated only | Kensington Lock, Security cable bar option, pin code security, remote control operated only |
| On-screen Menu | Arabic, Chinese (Simplified), Chinese (Traditional), Czech, Dutch, English, Finnish, French, German, Greek, Hungarian, Italian, Japanese, Korean, Norwegian, Polish, Portuguese, Russian, Spanish, Swedish, Thai, Turkish | Arabic, Chinese (Simplified), Chinese (Traditional), Czech, Dutch, English, Finnish, French, German, Greek, Hungarian, Italian, Korean, Norwegian, Polish, Portuguese, Russian, Spanish, Swedish, Turkish | Arabic, Chinese (Simplified), Chinese (Traditional), Danish, Dutch, English, Finnish, French, German, Hungarian, Italian, Japanese, Kazak, Korean, Norwegian, Polish, Portuguese, Portuguese (Brazilian), Romanian, Russian, Spanish, Swedish, Turkish |
| Advanced Features | Filter-less 3D Ready Crestron RoomView Express Quick Lamp Access Direct power on/off Closed Caption | Filter-less 3D Ready Crestron RoomView Express Quick Lamp Access Direct power on/off Closed Caption | Long Life Filter – 4000hrs Crestron RoomView Express Cable Management Cover Quick Lamp Access Direct power on/off Closed Caption |
| Packed Contents List | Projector, Power cord, computer cable (D-sub15 – D-sub15), wireless remote, owner's manual (CD - ROM & Quick Start Guide) | Projector, Power cord, computer cable (D-sub15 – D-sub15), wireless remote, owner's manual (CD - ROM & Quick Start Guide) | Projector, Power cord, computer cable (D-sub15 – D-sub15), wireless remote, owner's manual (CD - ROM & Quick Start Guide) |
| Pack Weights and Dimensions | Box 1 of 1: 13.5kg (29.7lb) Dimensions: 572mm x 496mm x 310mm (22.5in x 19.5in x 12.2in) Contents: Projector | Box 1 of 1: 4.9kg (10.8lb) Dimensions: 396mm x 341mm x 181mm (15.5in x 13.4in x 7.1in) Contents: Projector | Box 1 of 1: 9.5kg (20.9lb) Dimensions: 510mm x 470mm x 240mm (20in x 18.5in x 9.4in) Contents: Projector |

ActivBoard Systems/Boards SS 11/11 V2.0 US

©2011 Promethean Limited. All rights reserved. Promethean Ltd. is owner of a number of trademarks in several jurisdictions across the world. Any third-party product and company names are mentioned for identification purposes only and may be trademarks of their respective owners. ¹Applicable Terms and Conditions for warranty and support available at www.PrometheanWorld.com/ActivCare. All dimensions +/- 5mm (0.2in). All weights +/- 0.9kg (2lb). Product Specifications are subject to change without notice. www.PrometheanWorld.com